

**EFT**

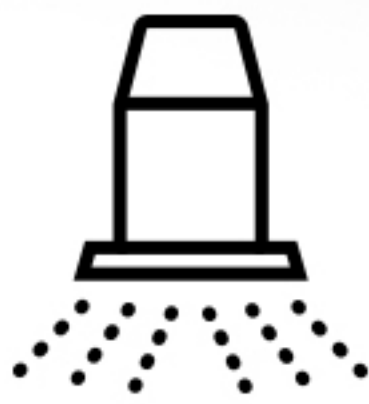
# Z30P / Z50P

Newly Upgrade Easier Operation



Newly upgrade Z series agricultural drone system with **30KG and 50KG two load models.**

Upgrade new V2.0 control system, make the operation smoother and easier. High-flow impeller pumps and water-cooled centrifugal nozzles, spraying and spreading can be quickly switched.



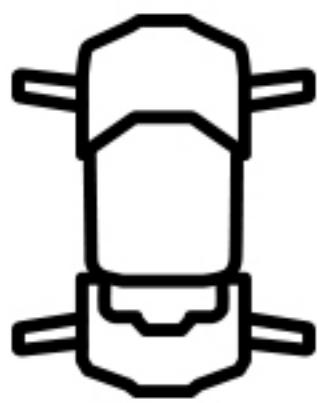
## Spraying System

Fine Atomizing Spray  
Adjustable Droplet Size  
Precise & Efficient



## Spreading System

360° Evenly Spread  
Umbrella Metal Stirrer  
Smooth & Durable



## Truss Structure

Double Strength  
Flexible Handling  
Sturdy&Reliable



## System 2.0

Newly Operating System  
Enhanced Protection  
Intelligent & Stable

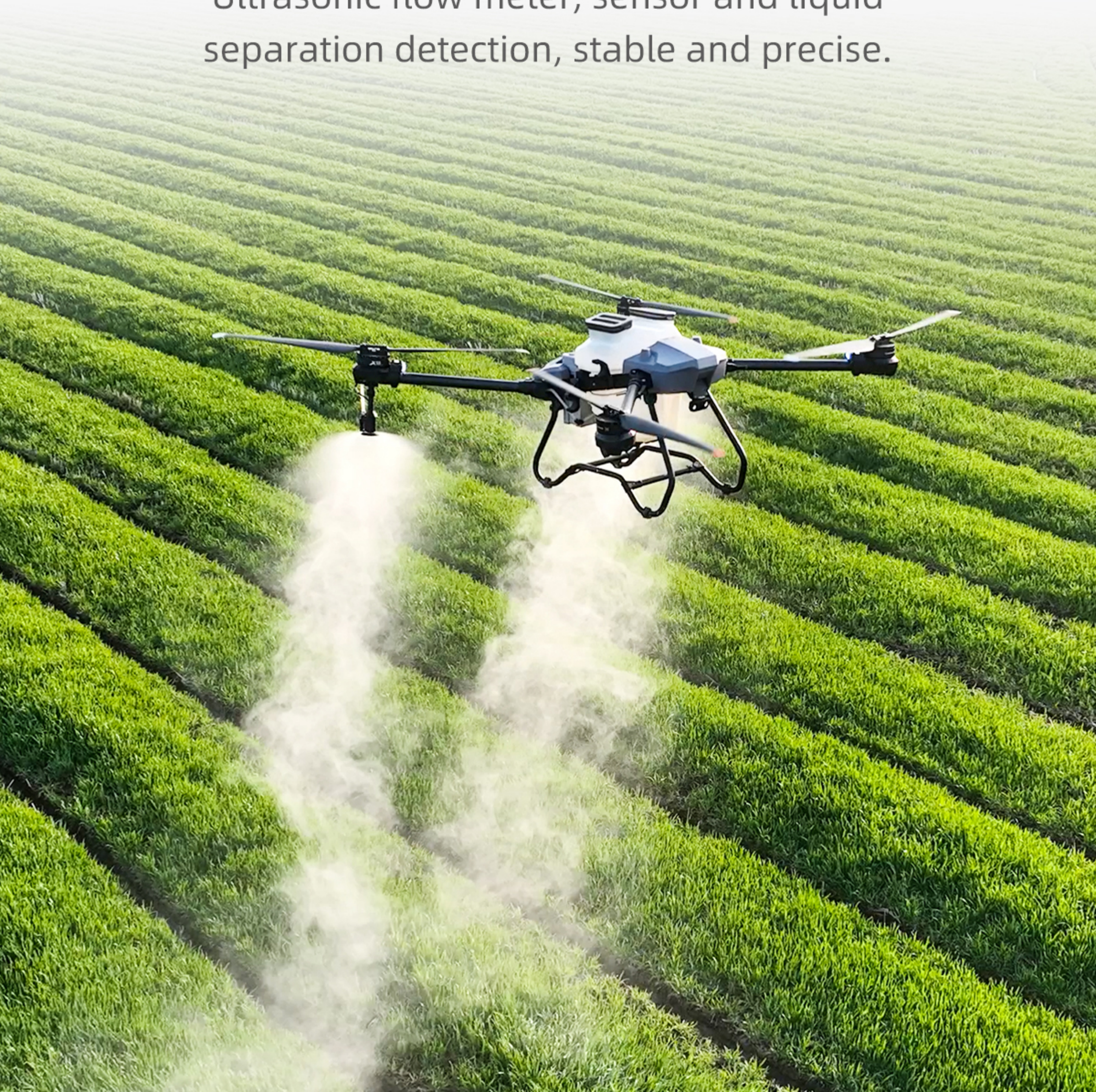
# All In One, Quick-Swap Design Meet Multiple Applications

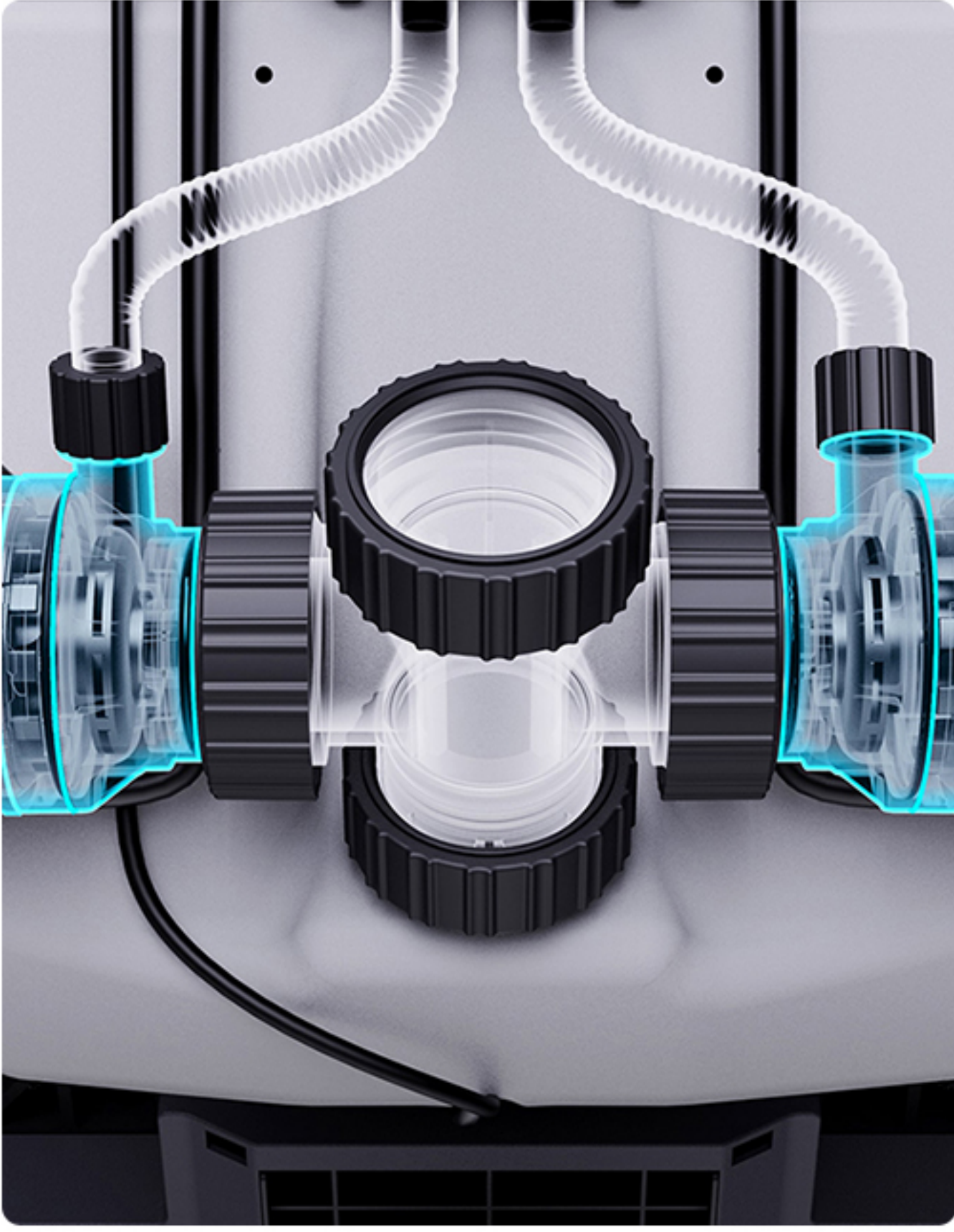
**Fine Atomizing Spray,  
Precise And Efficient**

The atomized spraying system can be adjusted according to different crops, scientific spraying.

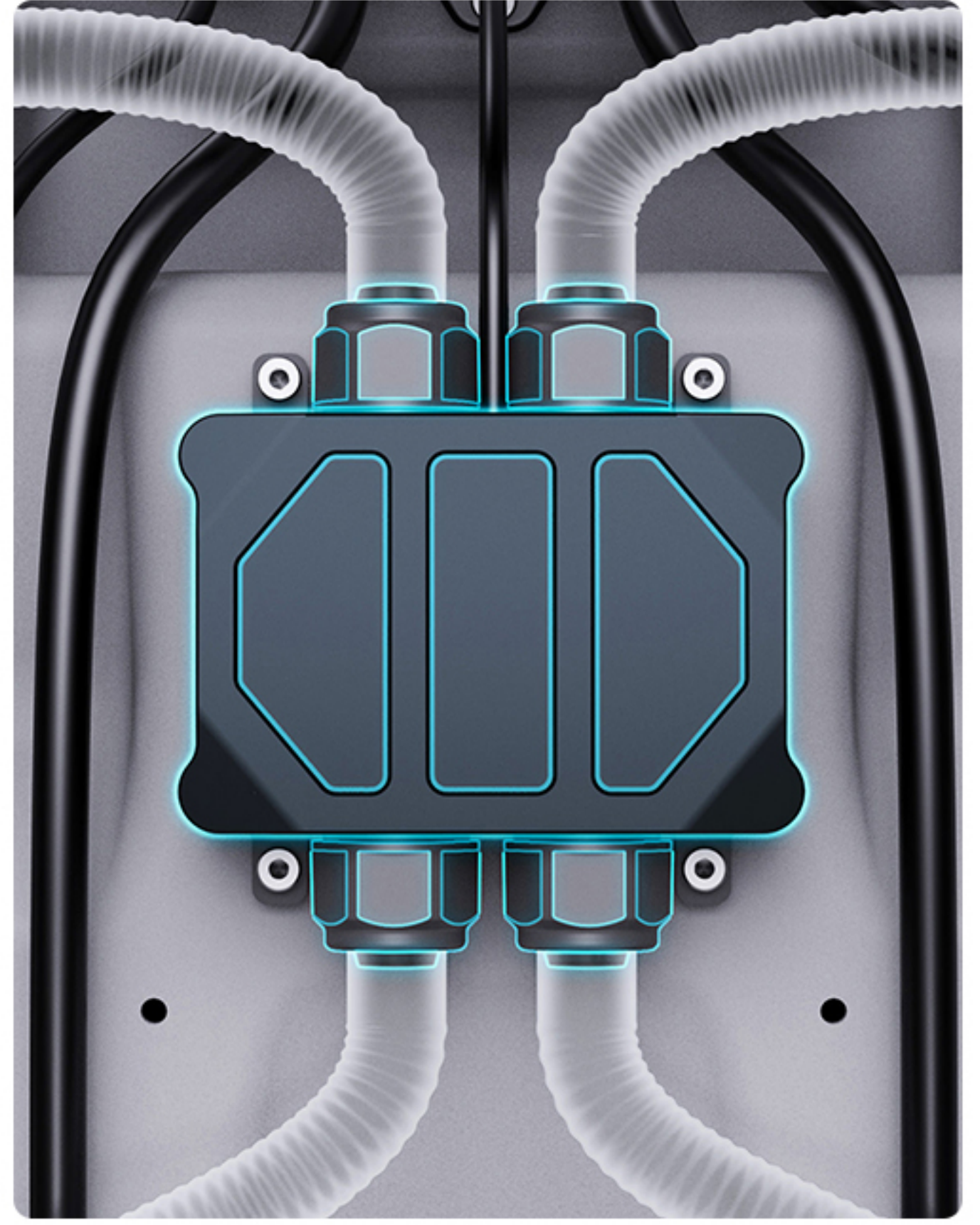
Equipped with high-flow impeller pumps and water-cooled centrifugal nozzles, spray efficiently.

Ultrasonic flow meter, sensor and liquid separation detection, stable and precise.





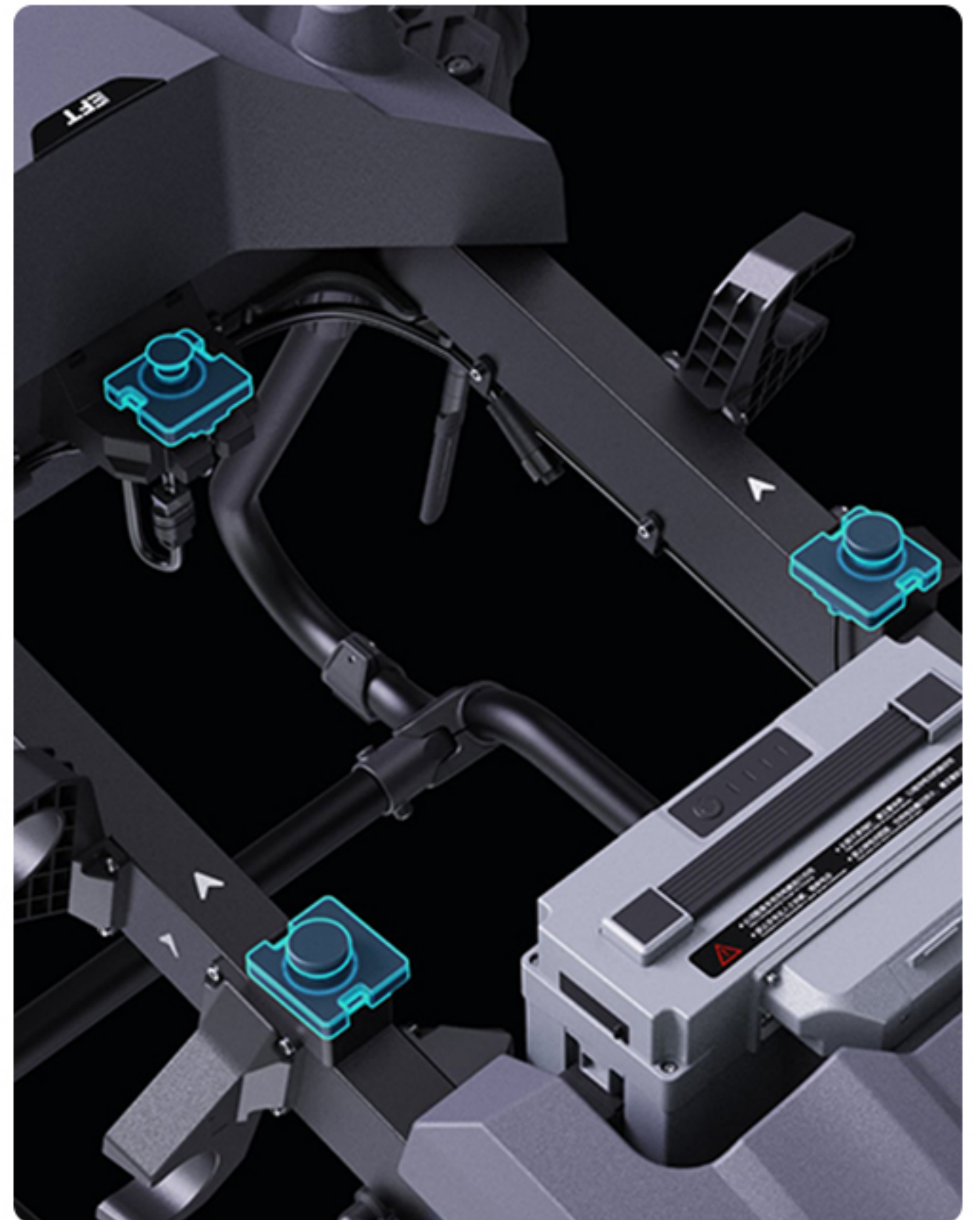
Large Flow Impeller Pump



Ultrasonic Flow Meter



Water-cooled  
Centrifugal Nozzle



Precision  
Weighing Module

## **Upgraded Spreading System, 360° Smooth Spreading**

Integrated spreading kit can be quickly installed.

Automatic identification and debugging-free.

Equipped with upgraded spreader,  
umbrella-shaped metal stirrer and stronger disc,  
achieve 360° even and smooth spreading ,  
save time and materials.



# 2.0 Control System

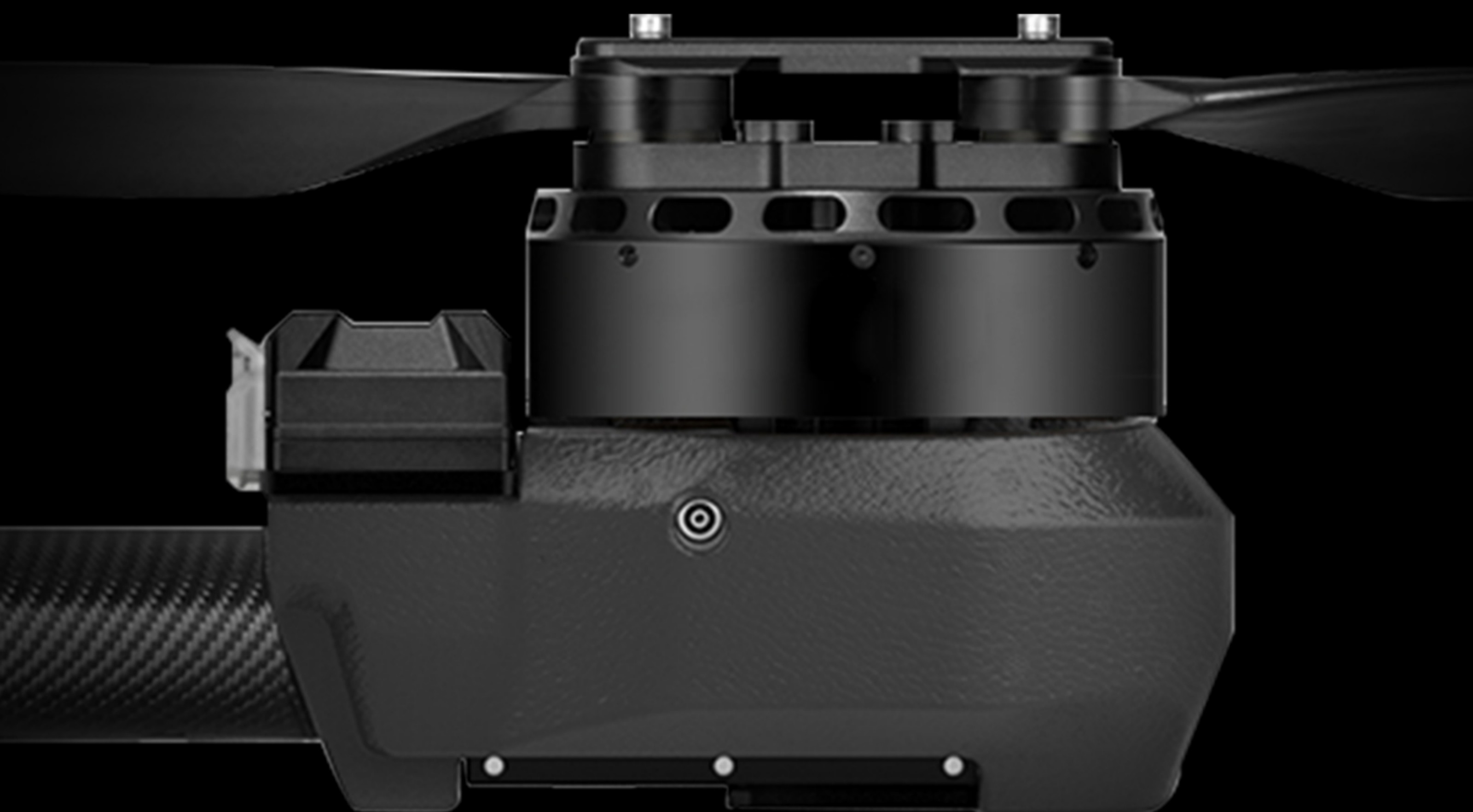
## Enhanced Performance, Simpler Operation

Brand-new APP, simplified logic, easy to operate.  
Operation Settings can be quickly set,  
Real-time viewing the datas, and multiple  
languages are available to ensure users can operate  
smoothly and easily.



# **New Upgraded Motor System Stronger Power , Safer flying**

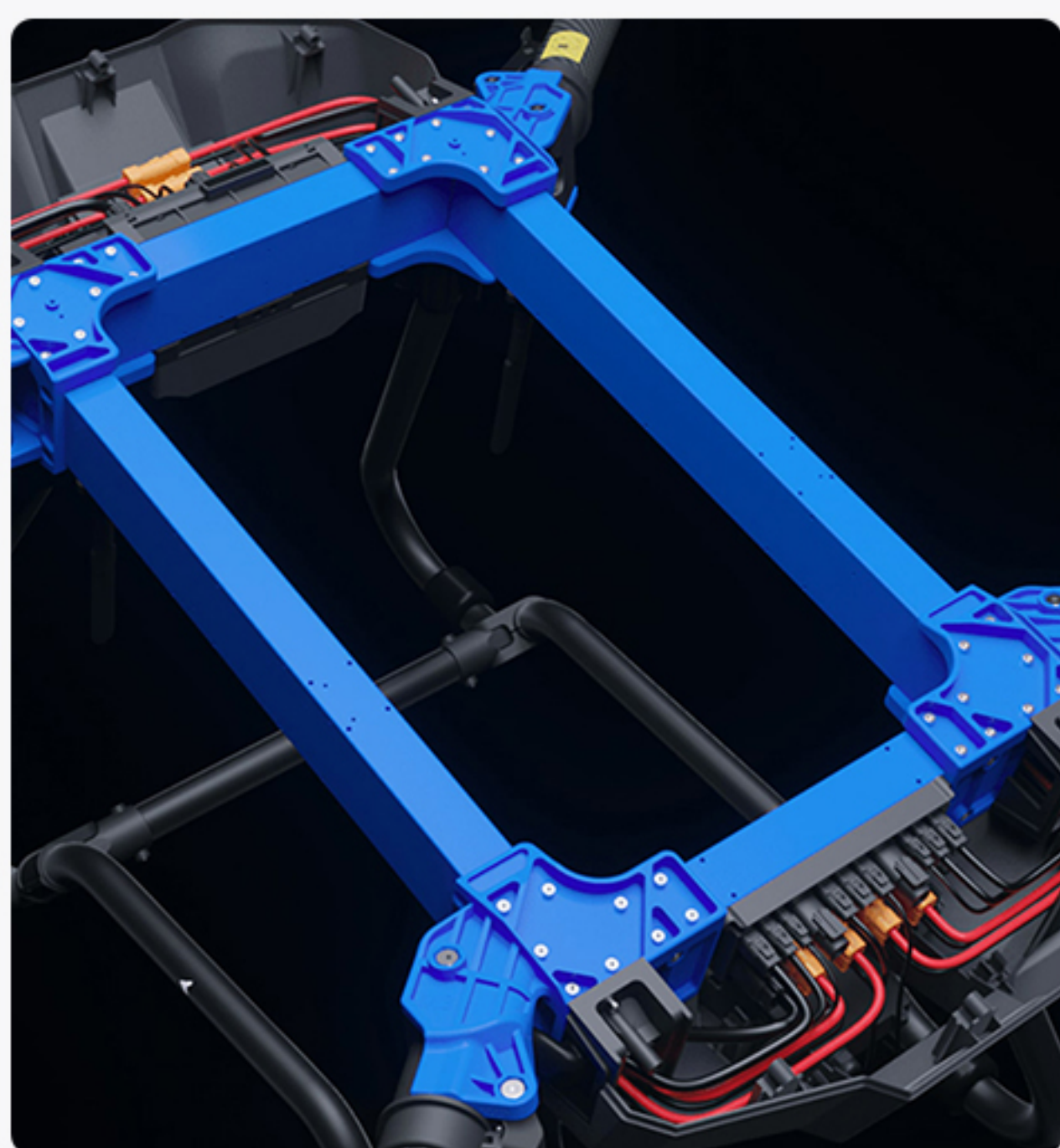
Upgraded 56-inch strong propellers, configuring CAN protocol, real-time data logging. More powerful ,and more stable flight with full load.



# Deeply Optimized , Durable and Reliable

Optimized internal structure, stronger and more wear-resistant, IP67 effortless maintenance.

Upgraded the circuit board and algorithm, more durable and stable.



Truss Structure



Arm Sensor



Circuit Board

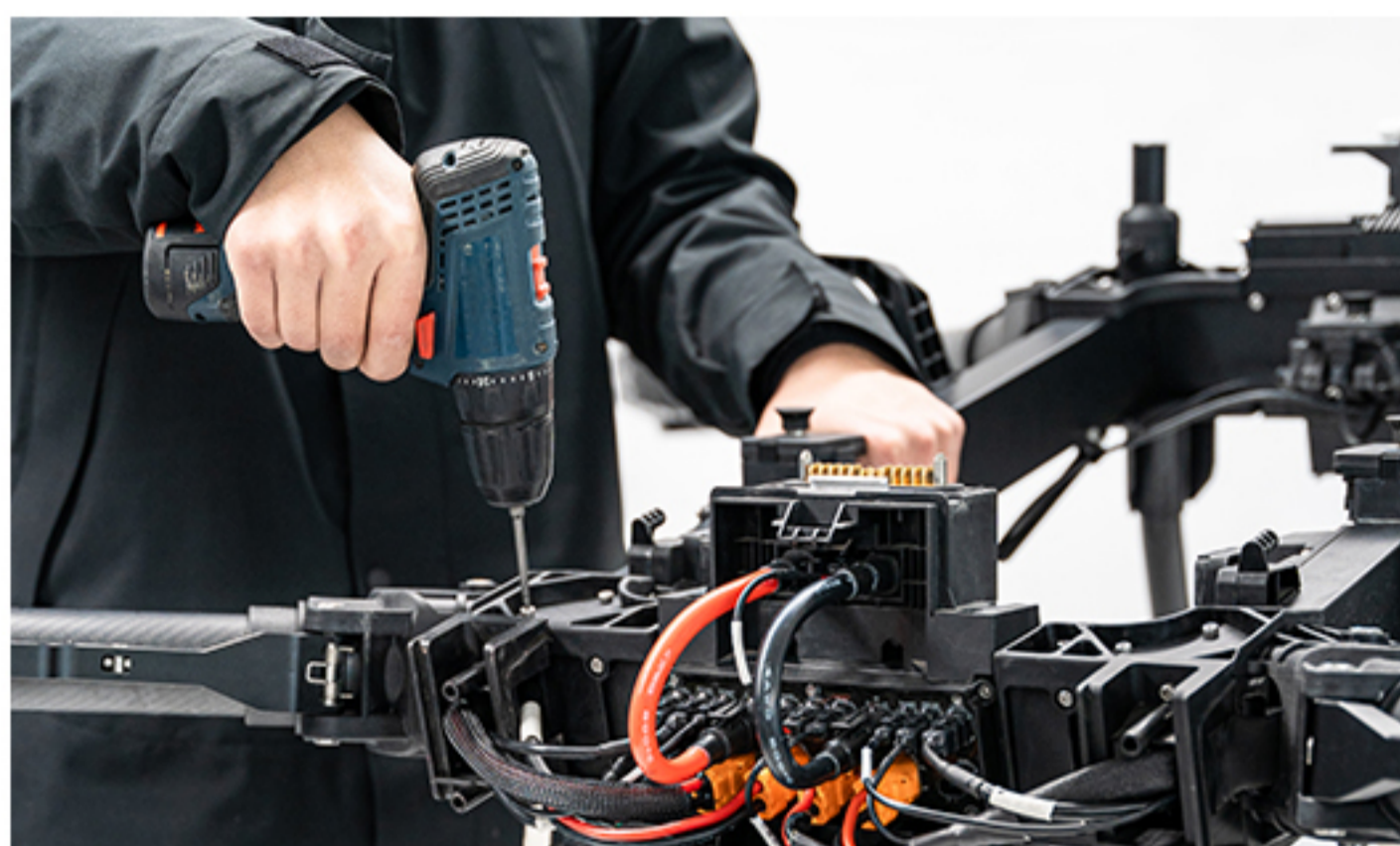


Integrated FC Module



# Professional Technical Training

One-to-one training  
Empower localized manufacturing



Assembling

Detection



Troubleshooting



Maintenance



\*For training fees, please contact official customer service or regional manager

# Multiple Options, Flexible Delivery

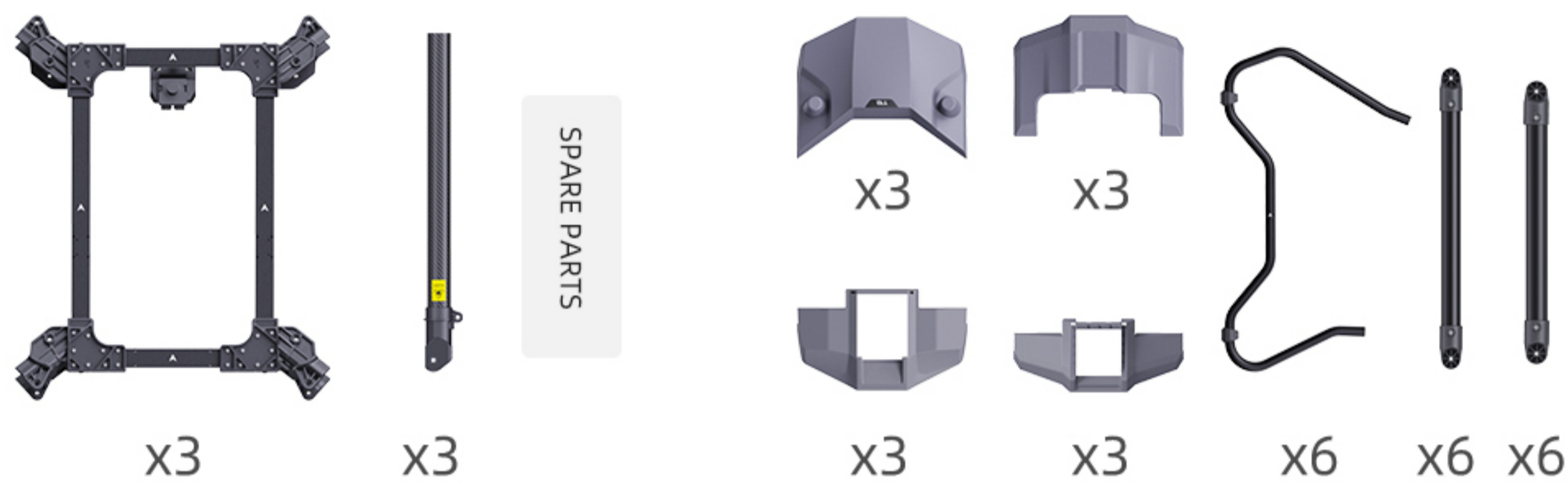
## Advanced Set



## Standard Set



## Three Sets Shipping in CKD Form



985x670x455mm  
1CTN



985x670x455mm  
1CTN



766x438x274mm  
1CTN



485x345x345mm  
1CTN

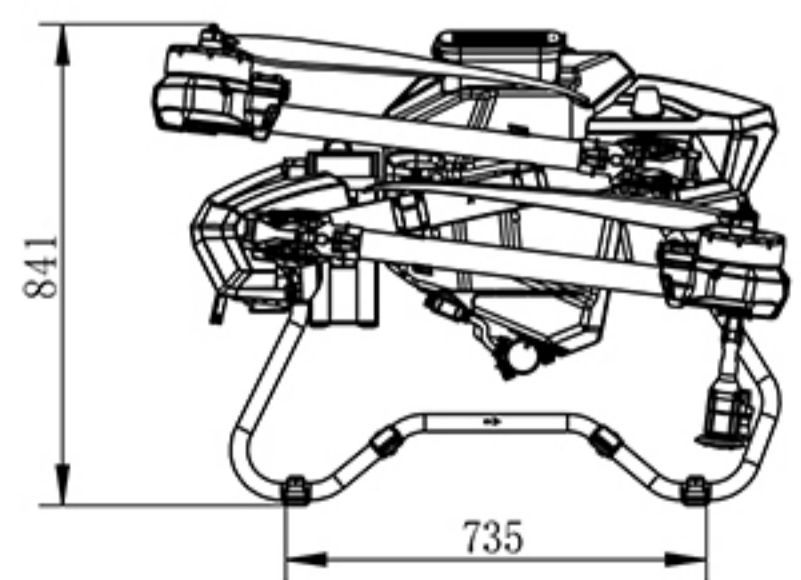
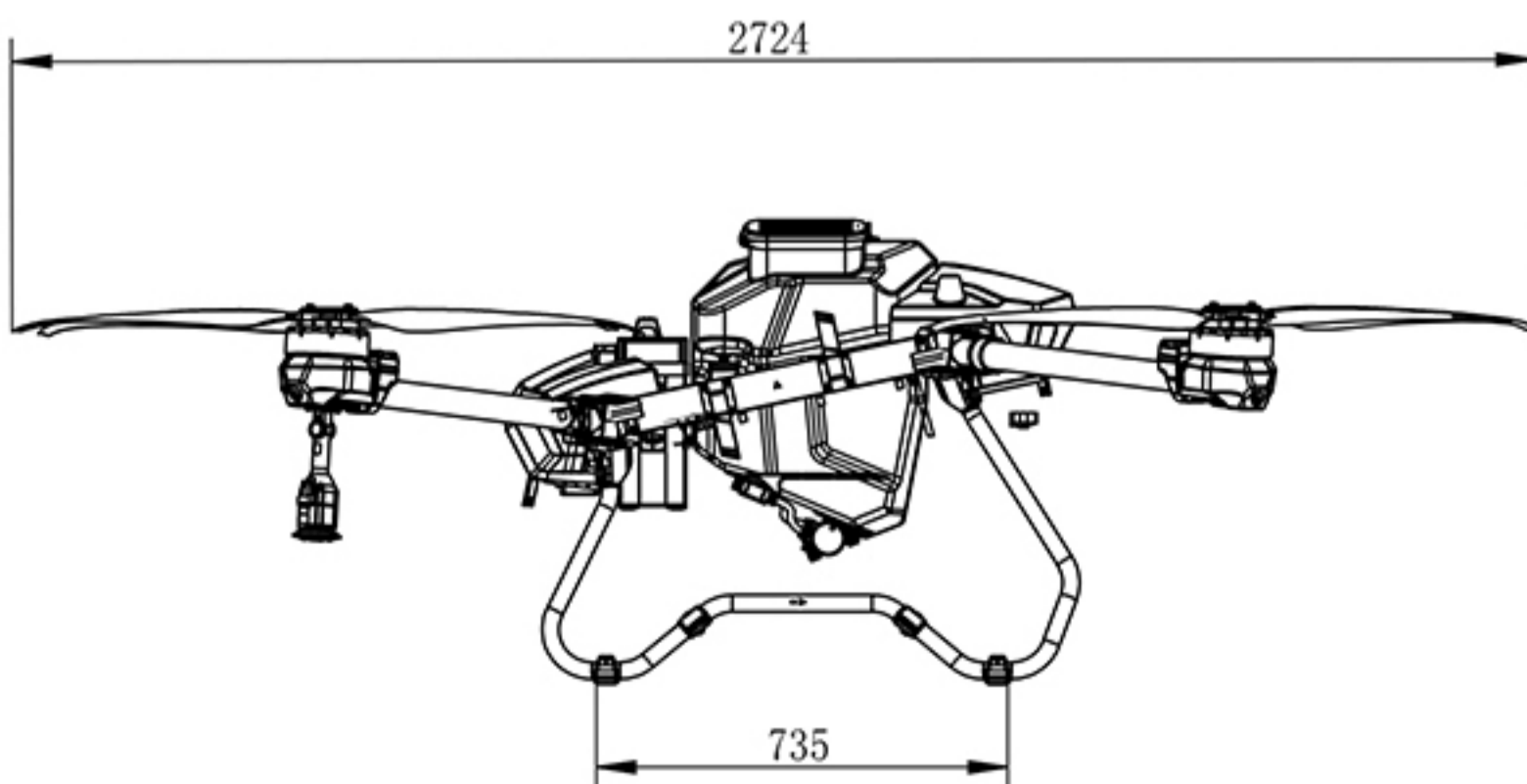
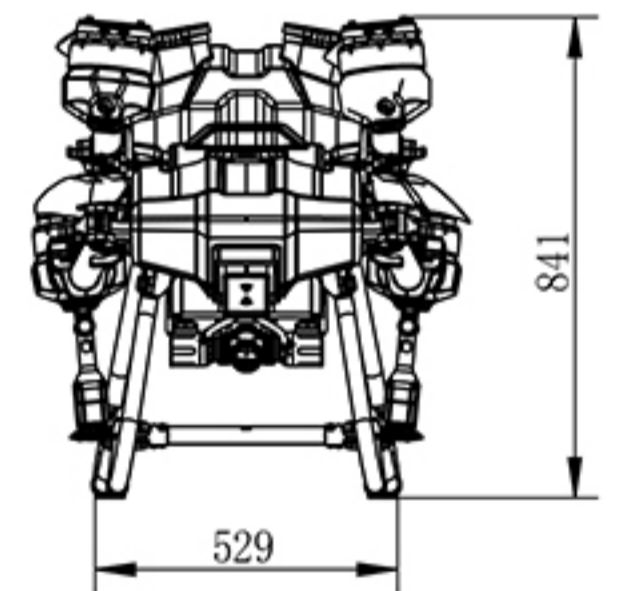
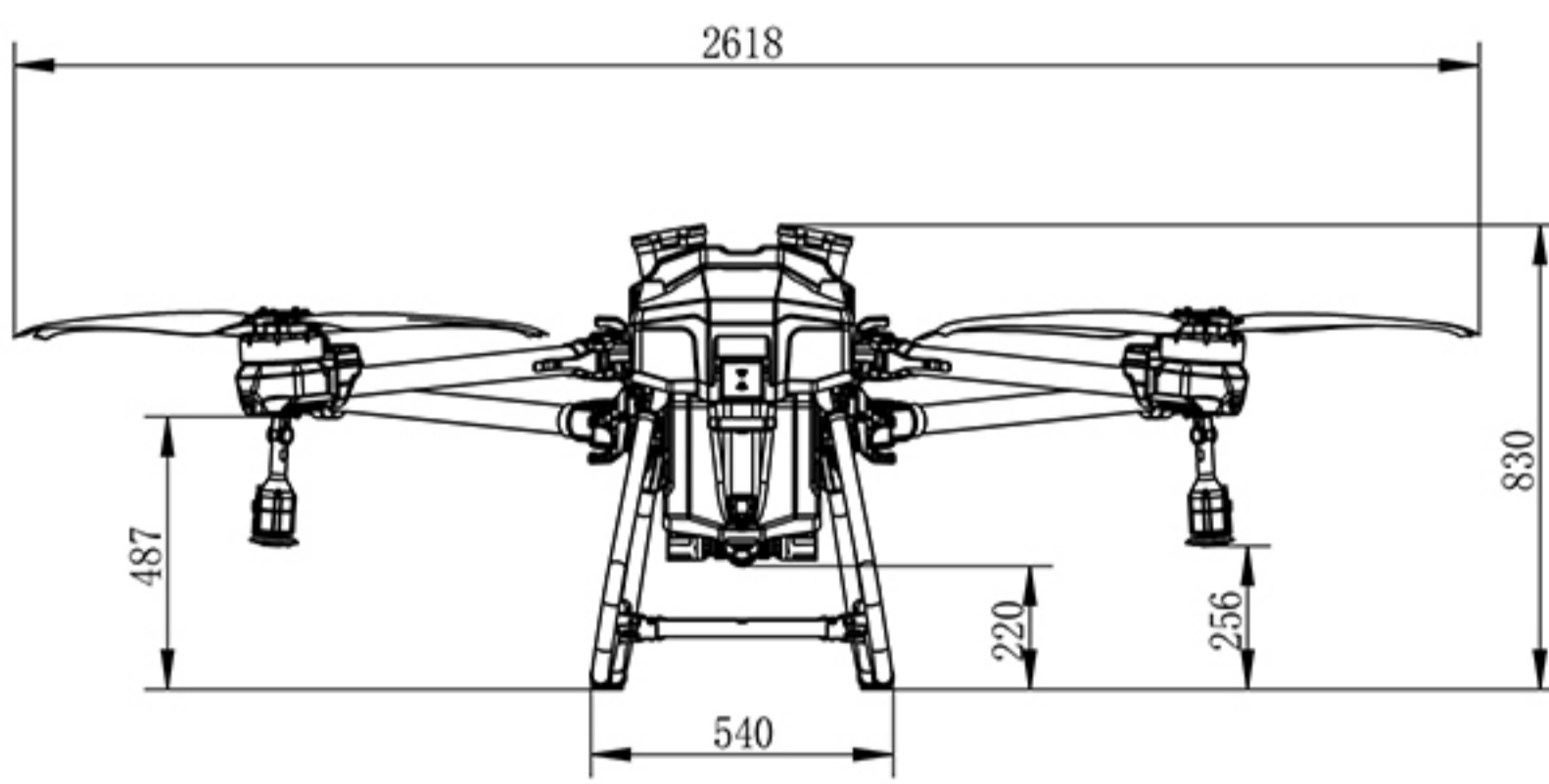
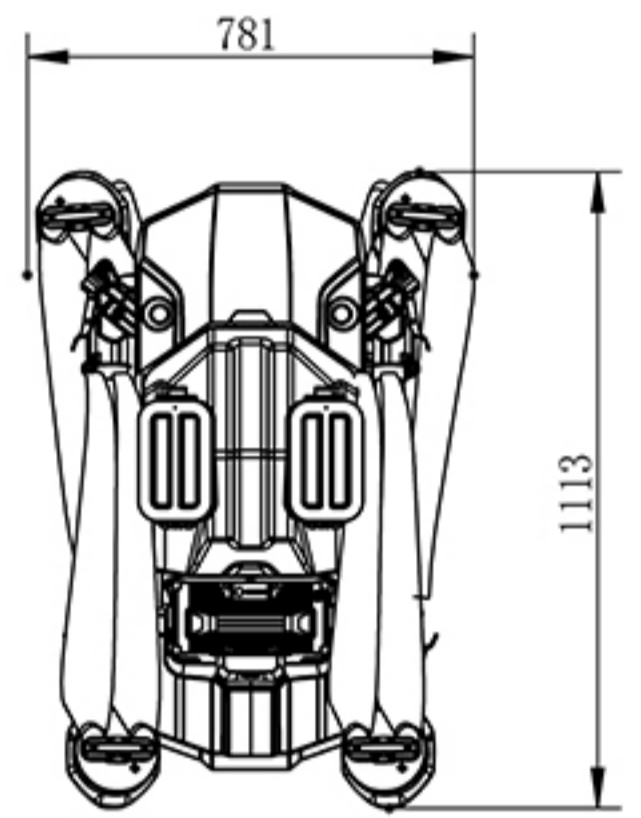
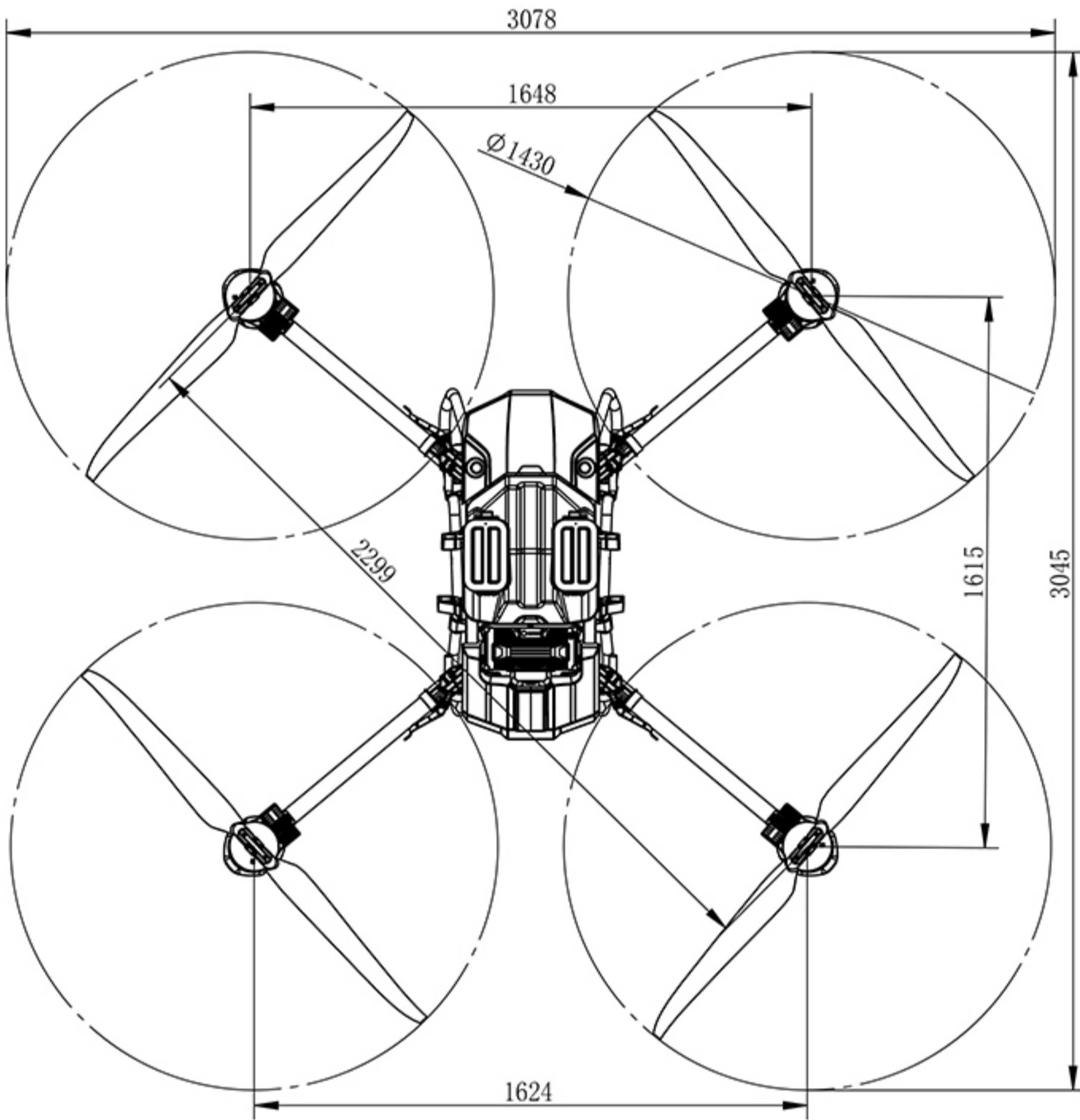


460x370x350mm  
3CTN

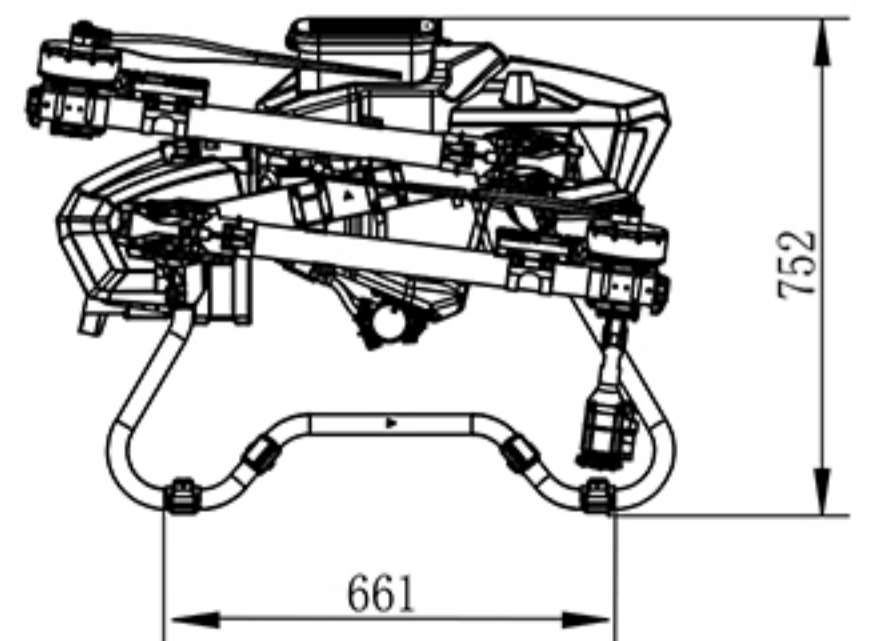
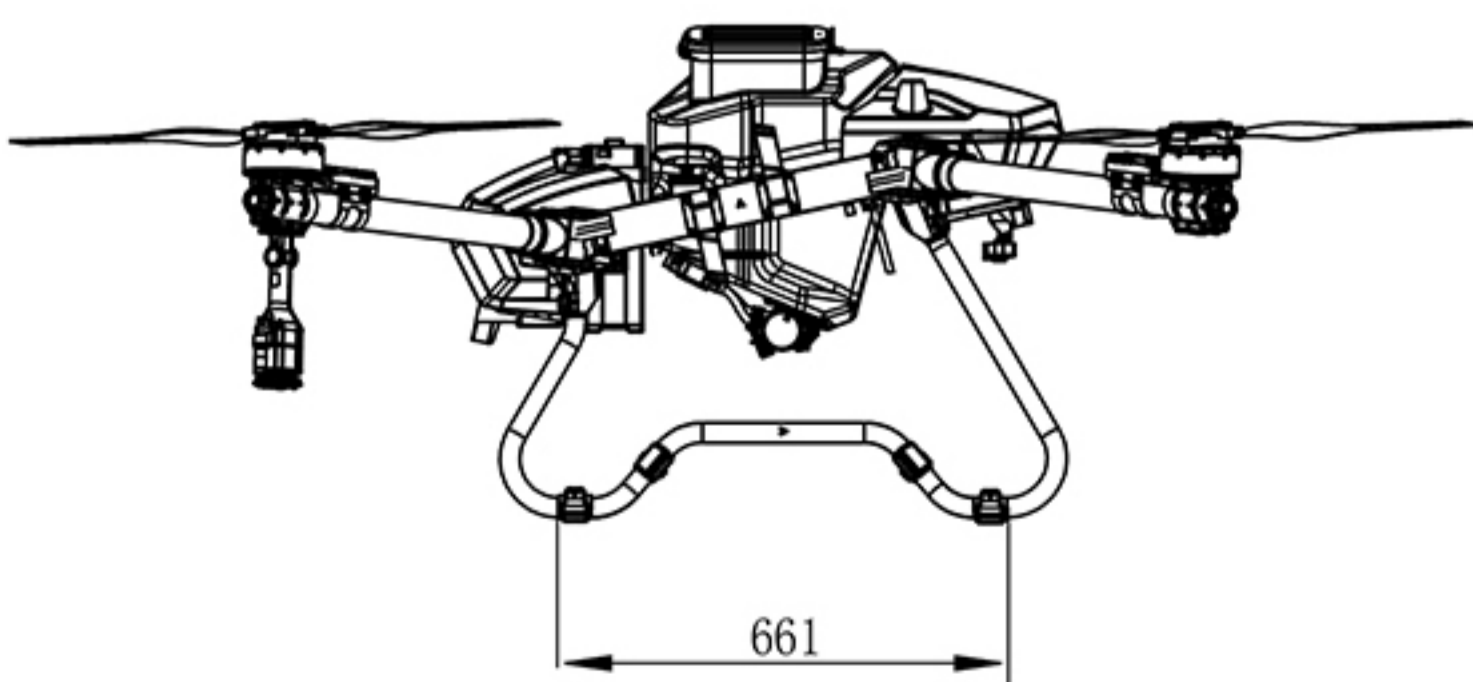
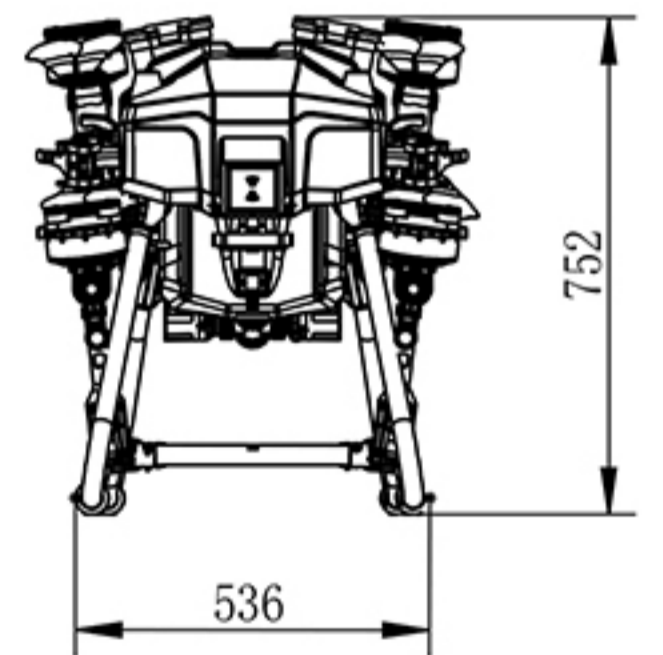
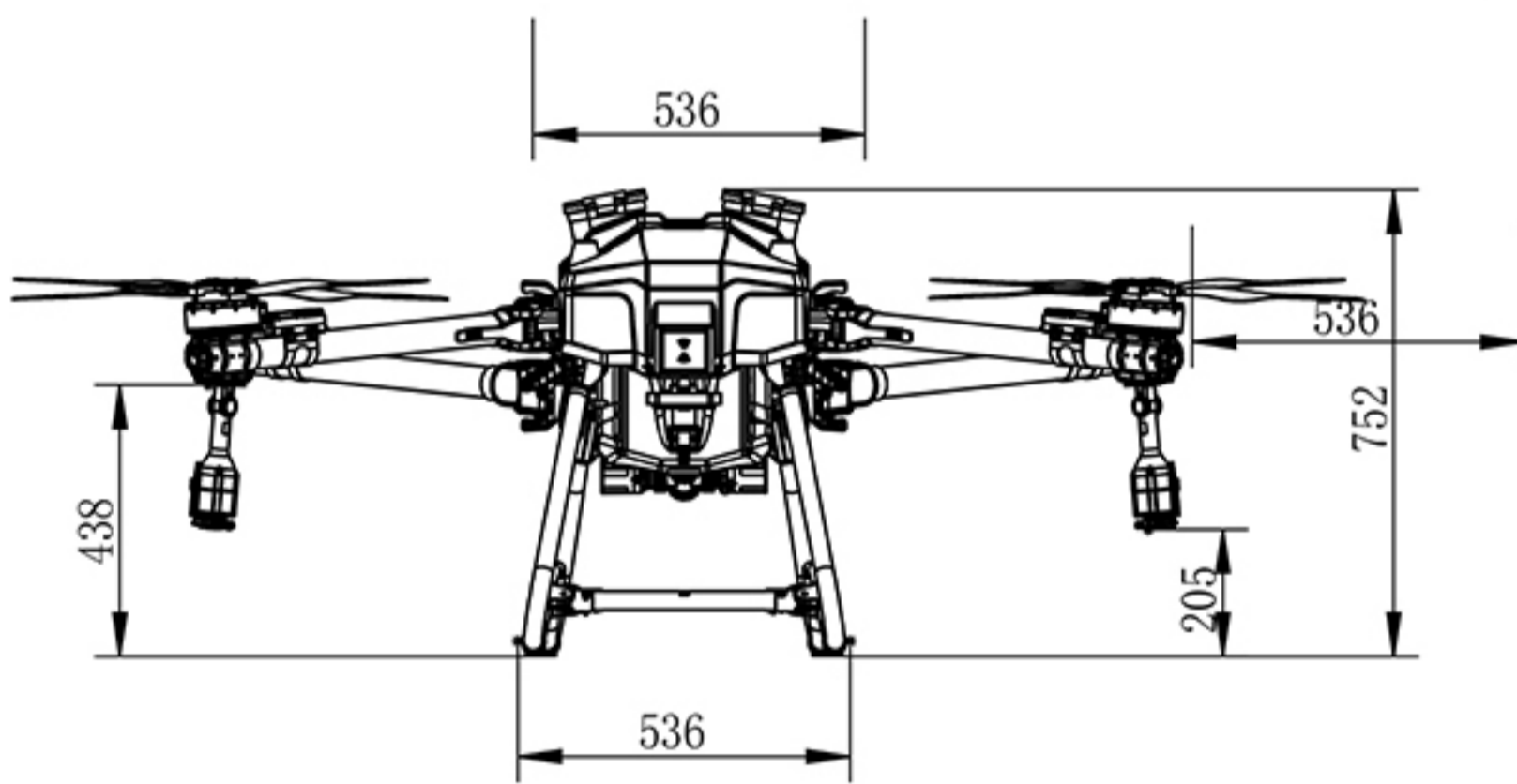
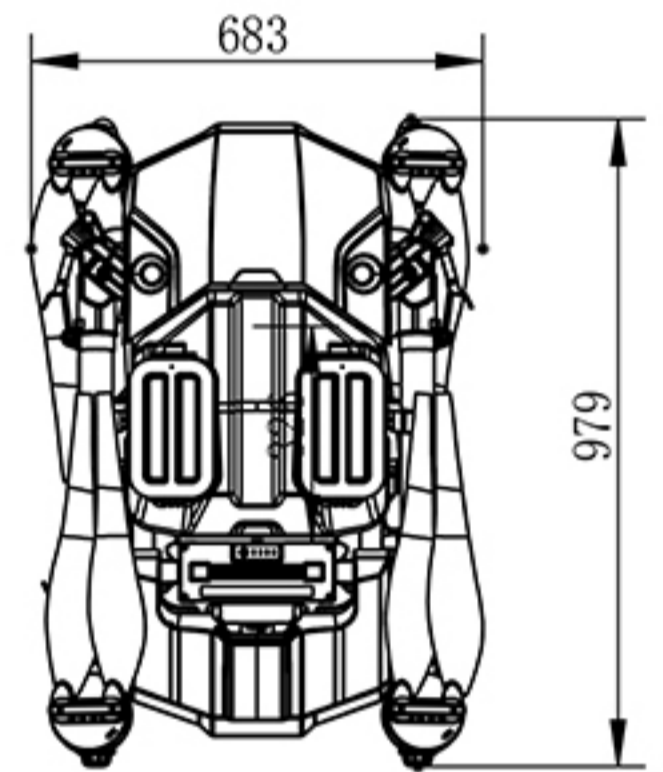
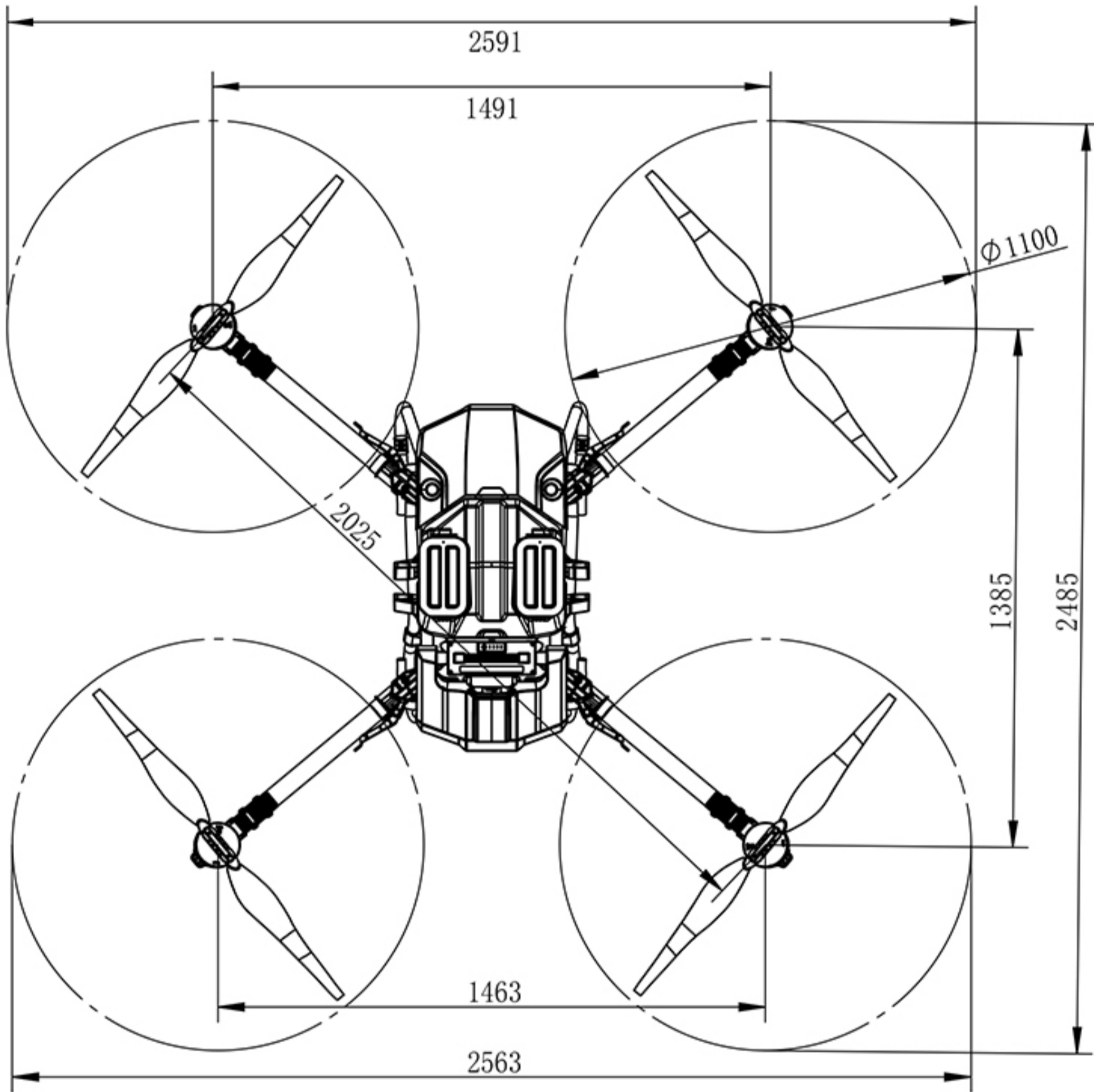


511x448x390mm  
3CTN

# 250P SIZE



# 230P SIZE



# PARAMETER

## DRONE SYSTEM

### Z30

### Z50

Unloaded Spraying drone weight (without batteries)	30.4kg	36.7kg
Unloaded Spraying drone weight (with batteries)	41.6kg	51.4kg
Unloaded Spreading drone weight (without battery)	31.5kg	37.2kg
Unloaded Spreading drone weight (without battery)	42.7kg	51.9kg
Max Take-off weight	71.6kg	101.4kg
↑ ( The weight parameters vary by ±1kg according to the final product configuration.)		

Wheelbase	2025mm	2299mm
Expand Size	Spraying drone: 2485*2591*752 Spreading drone: 2485*2591*774	Spraying drone: 3045*3078*830 Spreading drone: 3045*3078*890
Folded size	Spraying drone: 979*683*752 Spreading drone: 979*683*774	Spraying drone: 1113*781*841 Spreading drone: 1113*781*890
No-load hovering time	14.8min (Test by 14S 30000mah)	17.5min (Test by 18S 30000mah)
Full load hovering time	7.5min (Test by 14S 30000mah)	7min (Test by 18S 30000mah)
Working temperature	0-40°C	

## SPRAYING SYSTEM

Spraying tank	30L	50L
Water Pump	Volt: 12-18S Power: 30W Max flow: 8L/min	
Nozzle	Vollt: 12-18S Power: 500W Atomized particle size: 50-500µm	
Spray width	4-8m	

## SPREADING SYSTEM

Spreading tank	50L	70L
Max load	30kg	50kg
Applicable granule	0.5-6mm dry solids	
Spread width	8-12m	

## MOTOR SYSTEM

Model	11118	13825
Volt	14S	18S
KV	85KV	45KV
Maximum power	7810W	10887W
Continuous power	2410W	29710W
Propeller size	43 inch	56 inch

## FLIGHT CONTROL

Operating Voltage	12-80V	
Working temperature	-10~60°C	
RTK	Level±0.1m, Vertical ±0.1m	
GPS	Level±1.5m, Vertical±0.5m	
Wind resistance level	Sustained wind: level 4, Gust: level 5	

## REMOTE CONTROL

Resolution	1080*1920	
Display screen	5.5inch	
Working time	12h	
Charging time	5h (20W)	
Control distance	3km (3mHeight without shelter)	
Weight	850g	

## RECOMMENDED BATTERY

Volt	14S	18S
Capacity	30000mah	30000mah
Weight	10kg	13.5kg