

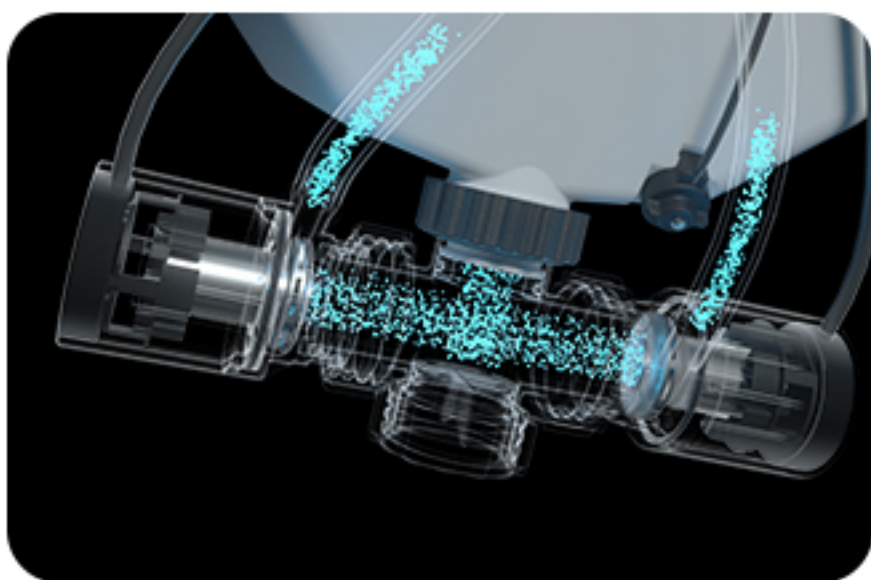
**EFT**

# Z20

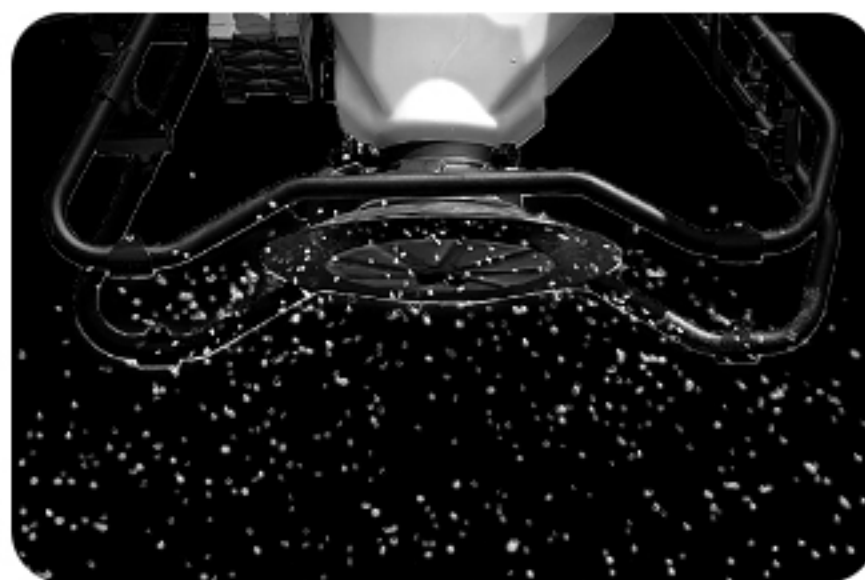
AGILE & SMART ONE FOR ALL



**Z20, A smart agriculture drone for solo operation.** Agile body, easily carry for quick moving on farm paths. 7-inch large screen remote control with 3.0 app, enjoy smooth operation. Spraying and spreading, easy to handle in various agriculture scenarios.



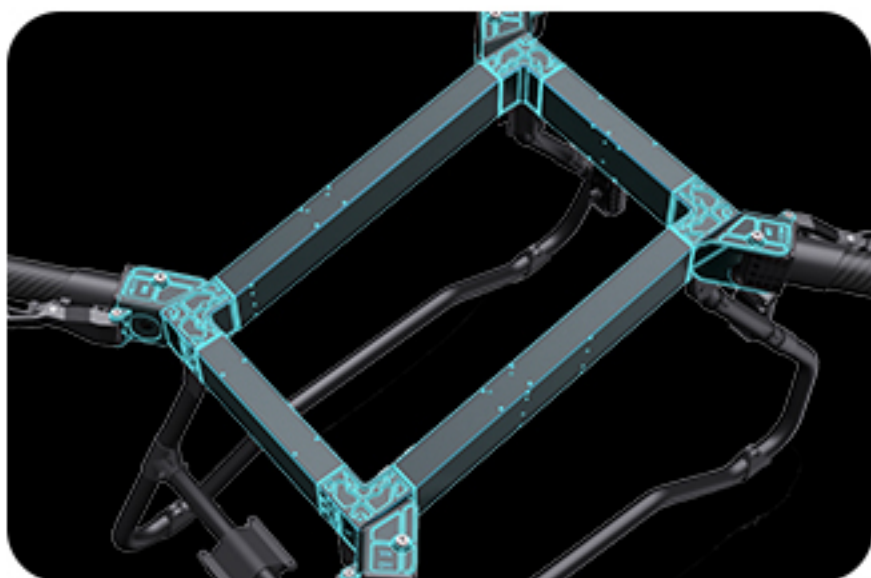
15L/min Impeller Pump



13.8m/s Spreading



3.0 Smart Software



Integral Die-forged Truss Frame

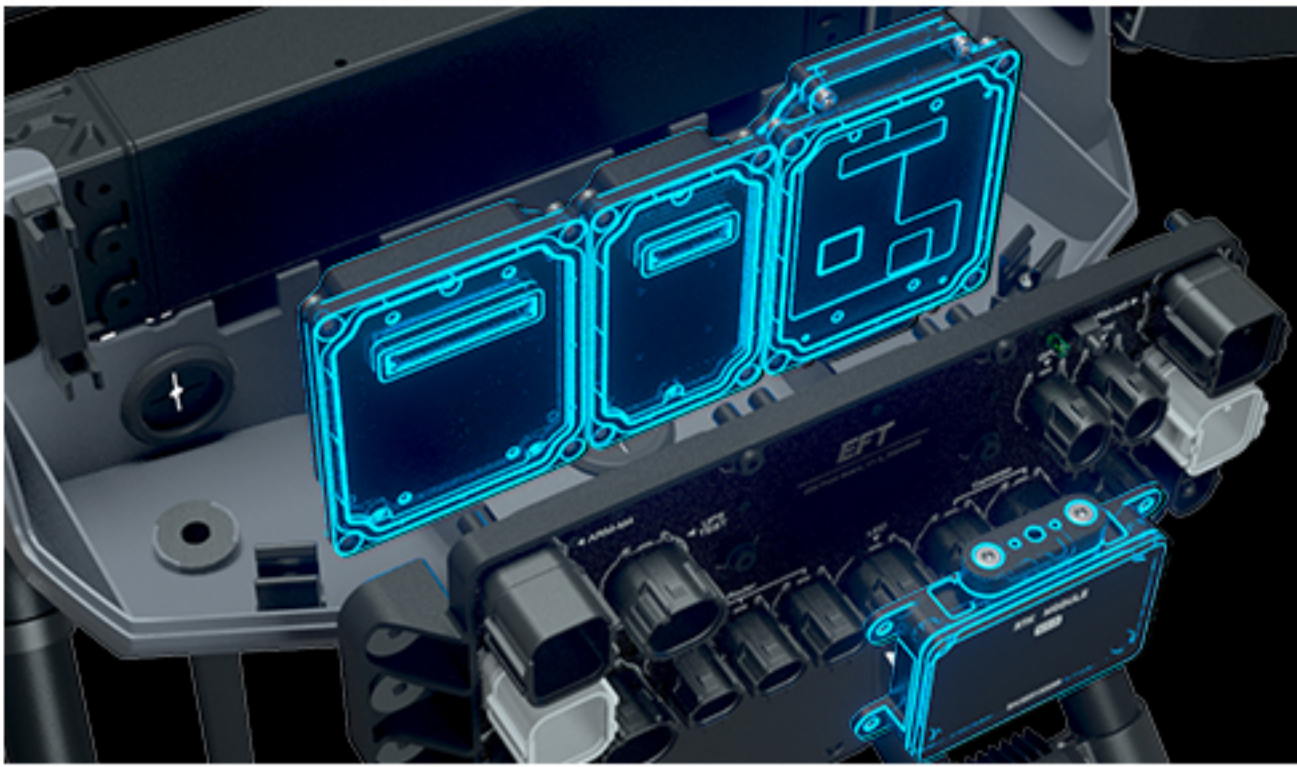


7-inch Large-screen Remote



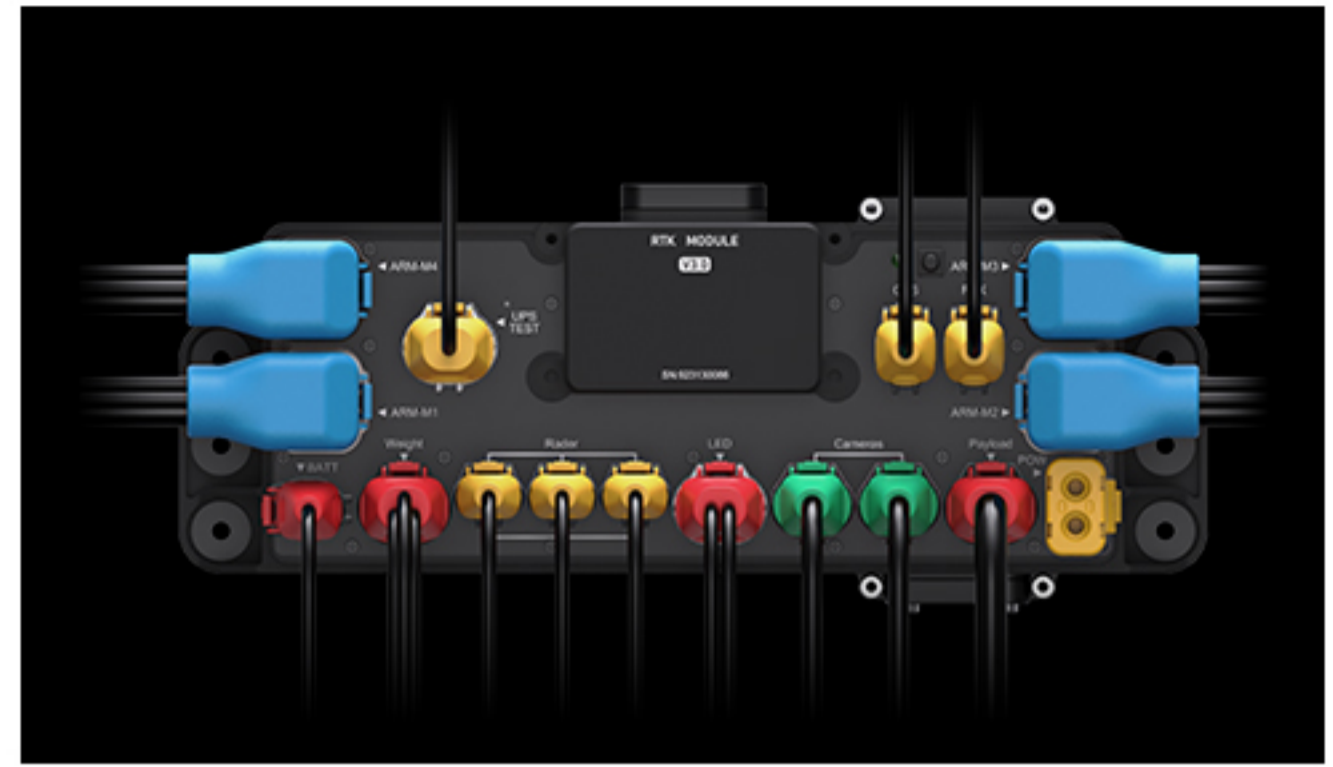
Modular Flight Control System

# MODULAR FLIGHT CONTROL SYSTEM STRONGER PROTECTION, SAFER OPERATION



## Independent Avionics Module Design

The PMU, FMU, and RTK are separately plugged in with independent protection, enhancing stability and safety.



## Separated CAN Design

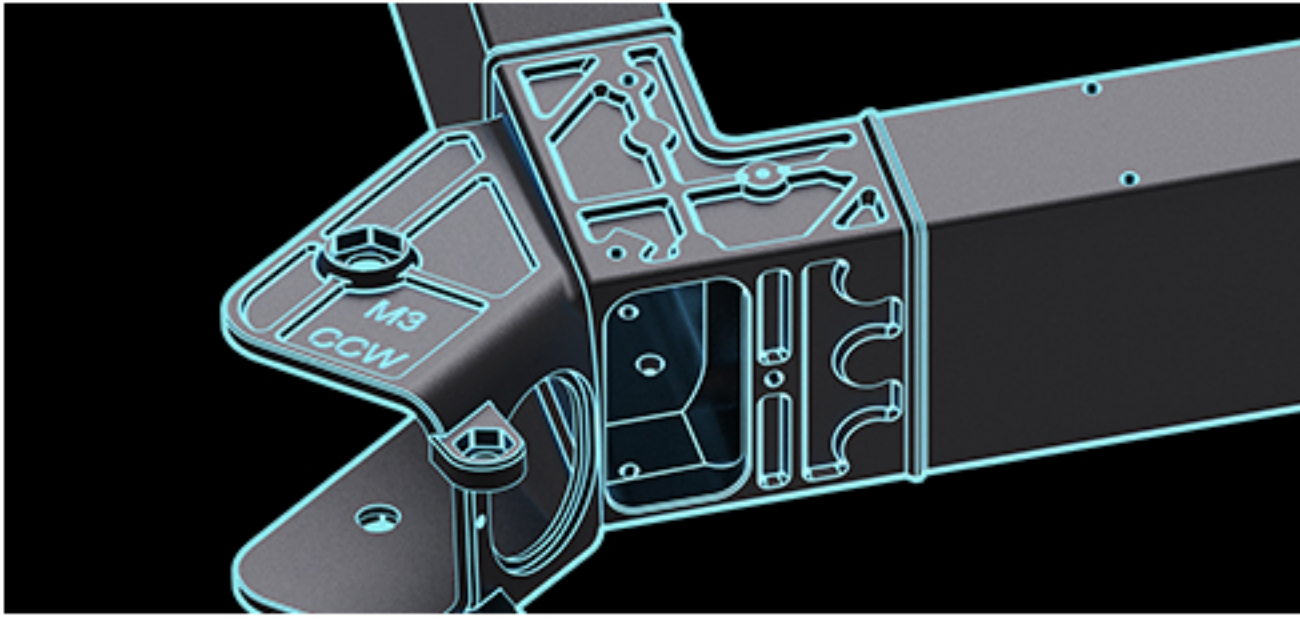
Multi-channel CAN bus for independent data transmission, ensuring stable and reliable communication.

# INTELLIGENT MOTOR SYSTEM MODULAR DESIGN, SMART FEEDBACK



43-inch propellers, powerful thrust brings agile flight. Injection-molded plugs and protective covers for waterproof and impact resistance, enhanced durability. Separated motor and ESC design with black box data logging for quick diagnostics.

## IMPROVED STRUCTURE EXTREME DETAILS, ENDURING DURABILITY



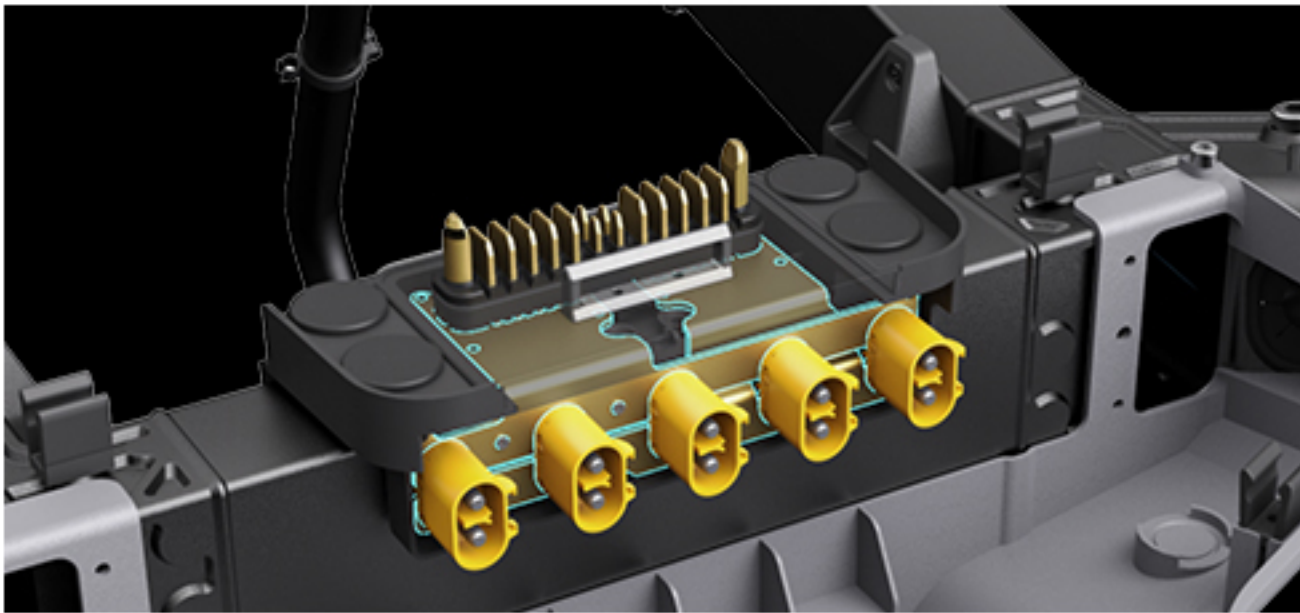
### Die-forged Structure

Forged from high-density aluminum alloy, compact and solid.



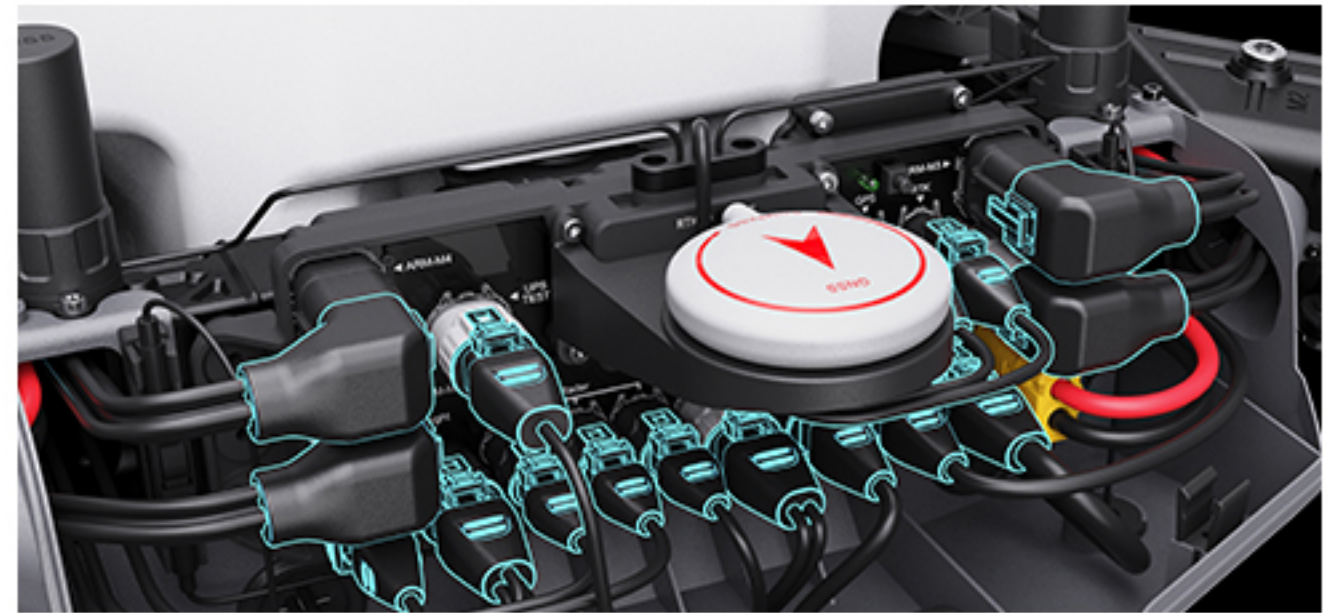
### Anti-off Arm Buckle

Dual- lock and Shock-resistant, ensuring safe flight operations.



### High-current PDB

A copper busbar with higher overcurrent capacity, lower temperature rise.



### Injection-molded Plugs

Waterproof and dustproof, easy to plug and unplug, more wear-resistant.

## APPLICATION IN MULTI-AGRI ONE FOR ALL, PRECISE AND EFFICIENT



New 15L/min high-flow impeller pump with intelligent centrifugal nozzle, adjustable angle and fine atomization spray. Precisely control the high flow and micro-spraying, more flexible spraying. One for all, quickly switch to spreading system. 13.8m/s high-speed spreading with 360° even coverage. Saving time and resources for efficient and effortless farming.



### 4D Precision Radar

Sensitive detection,  
Agile obstacle avoidance.



### HD Gimbal Camera

1080P HD camera, offering wide  
and clear view.



### 80W Drone Headlight

80W High brightness spotlight,  
safeguard night work.

## EFT 3.0 APP LARGE SCREEN, SMOOTH CONTROL

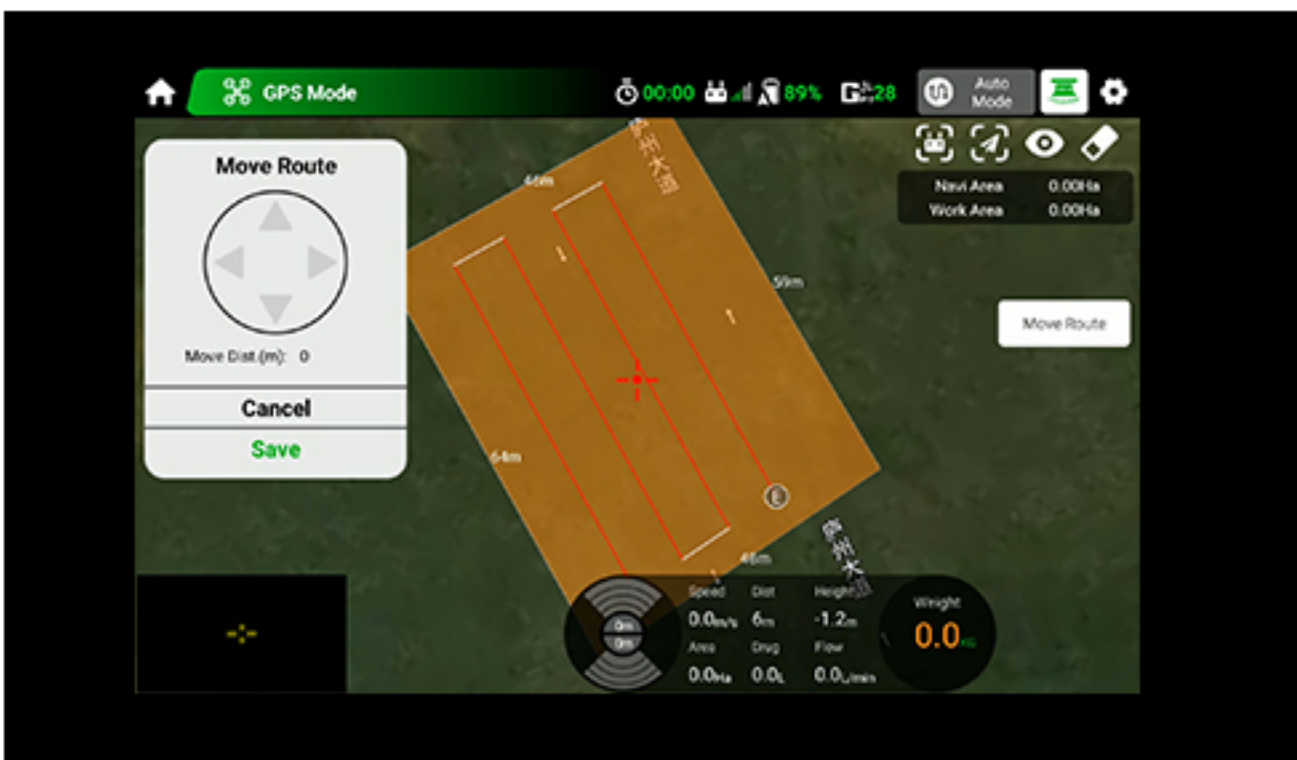
7-inch bright screen with customizable buttons, operating with the 3.0 APP system brings smart and simple control.



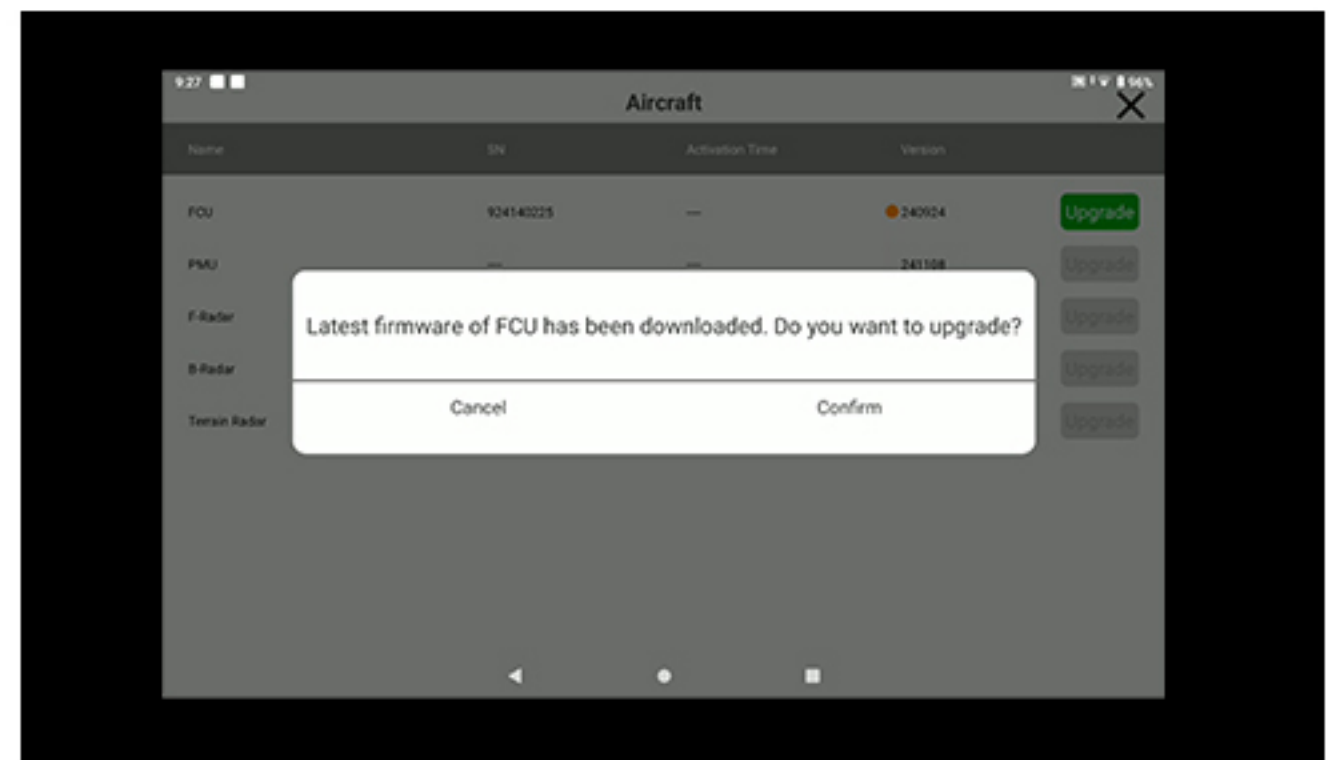
Large Screen



Early Warning



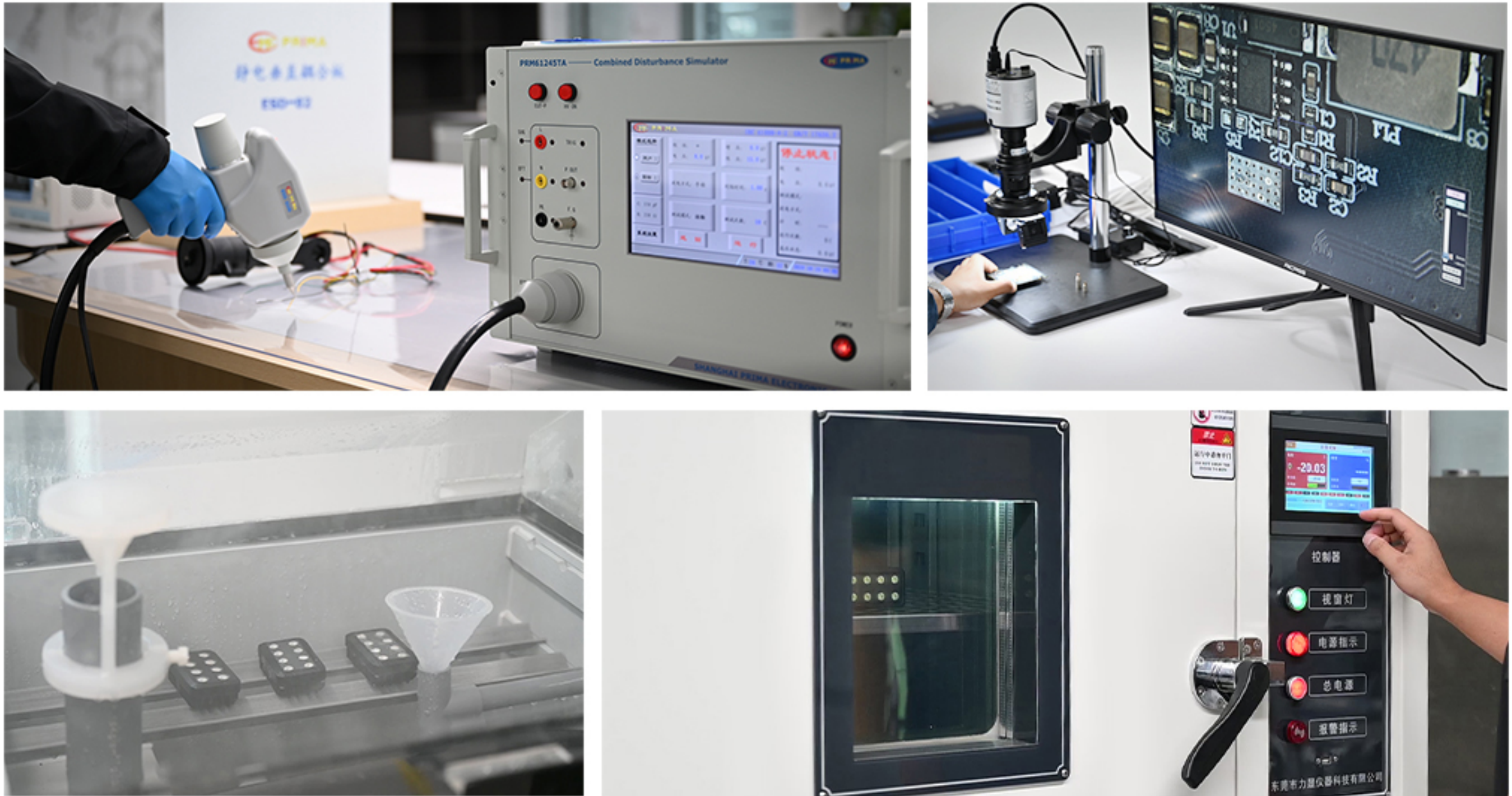
Map Rectification



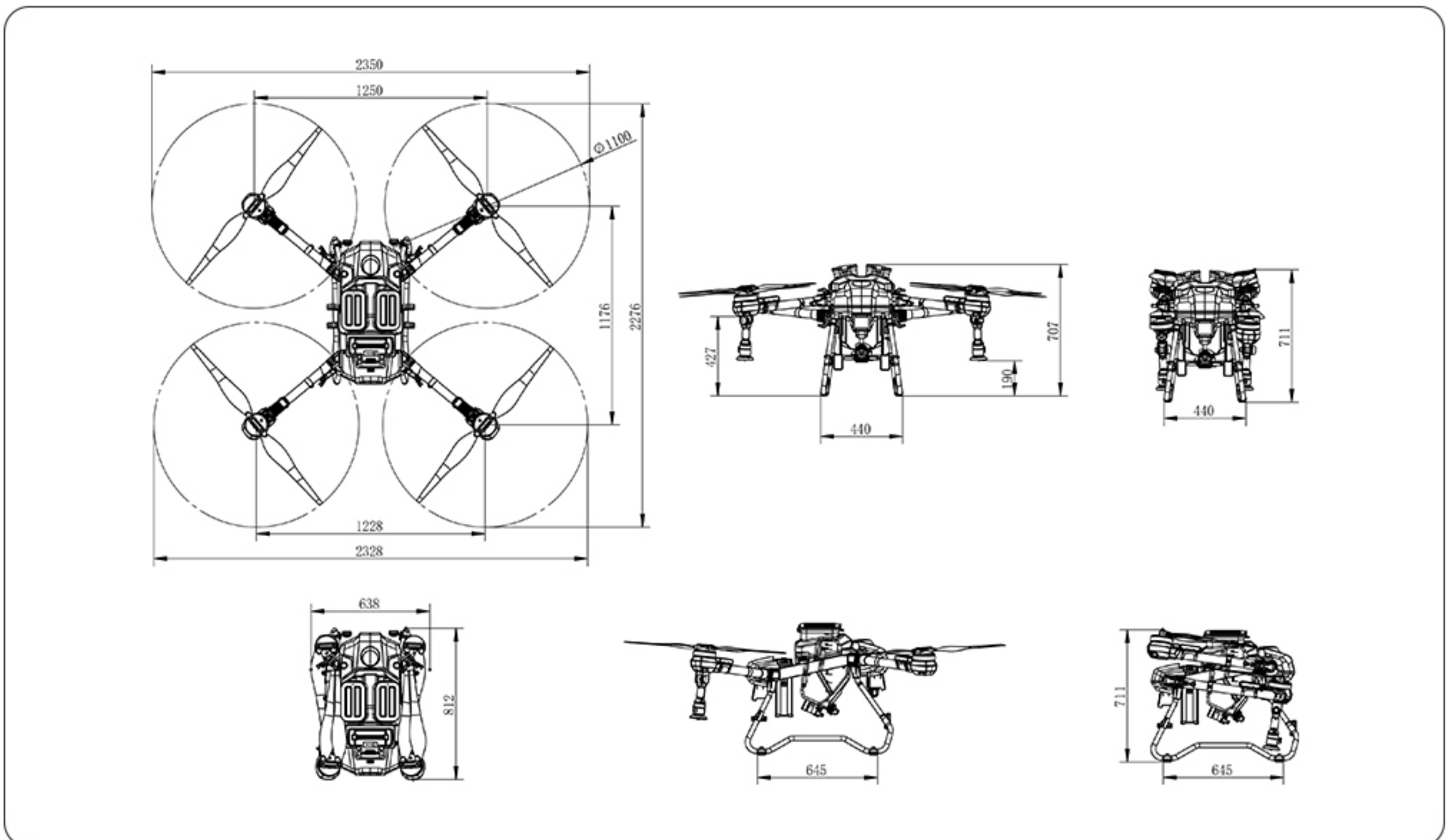
OTA Upgrades

# RIGOROUS TESTING, RELIABLE QUALITY

Rigorously tested for waterproof, corrosion resistance, and temperature extremes, etc. Enable stable operation in harsh conditions. Ensured reliability of drones in agricultural spraying operations.



## Z20 SIZE



# SPECIFICATIONS

DRONE	Weight (without battery)	23.5kg
	Weight (with battery)	31.5kg
	Max Takeoff Weight	51.5kg
	↑ (The weight parameters vary by ±1kg according to the configuration and craft.)	
	Wheelbase	1708mm
	Number of Axes	Four-axis
	Unfolded Size	2276*2350*707mm
	Folded Size	812*638*711mm
	Flight Time (no load)	17min
	Flight Time (full load)	8min
MOTOR SYSTEM	Model	E11
	Motor Size	120*41mm
	KV	95KV
	Voltage	54V (14S)
	Rated Power	1400W*4
	Propeller Size	43inch
	Propeller Material	Nylon mixed with carbon
SPRAY SYSTEM	Tank Capacity	20L
	Nozzle Type	Centrifugal nozzle
	Spray Width	4-8m
	Atomized particle size	50-500µm
	Max Flow	15L/min
SPREAD SYSTEM	Tank Capacity	30L
	Spreader Type	Centrifugal spinner
	Applicable Particle Size	0.5-6mm (dry granules)
	Spread Width	8-10m
REMOTE CONTROL	Display Screen	7inch
	Transmission Distance	2km (open area, 2.5m altitude)
	Battery Runtime	4-6h
	Charging Time	3.5h
	Operating Temperature	0-40°C
POWER SYSTEM	Battery Spec.	14S 20000mAh
	Battery Weight	8kg
	Charger Input Volt	AC100-240V 50/60Hz
	Charger Output Volt	DC20-62V
	Charging Current	Max. 120A
	Charger Weight	10kg